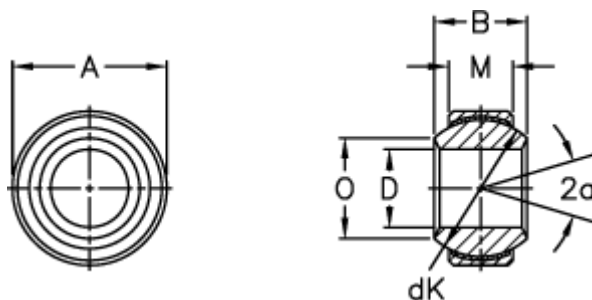


Article number: 03507006

Description: Fluro Rod end GE 6FW

Measures



A	= 16 0 -0,008	Tilt angle = 21
B	= 9	Weight = 9
D	= 6 0 -0,008	
dK	= 13	
Dynamic load C (kN)	= 5.8	
M	= 5	
O	= 9.3	
Static load C0 (kN)	= 14.6	